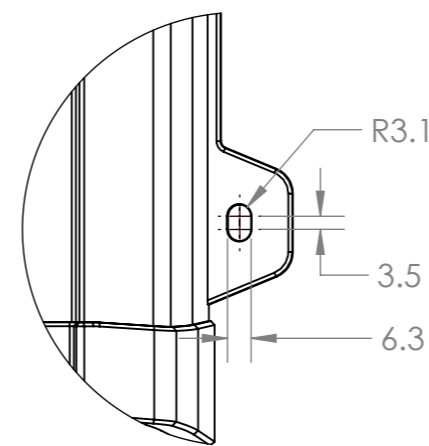
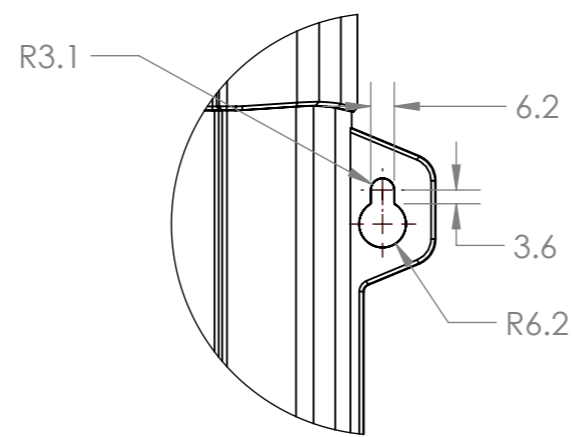
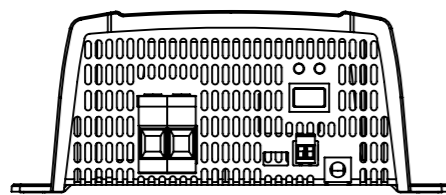
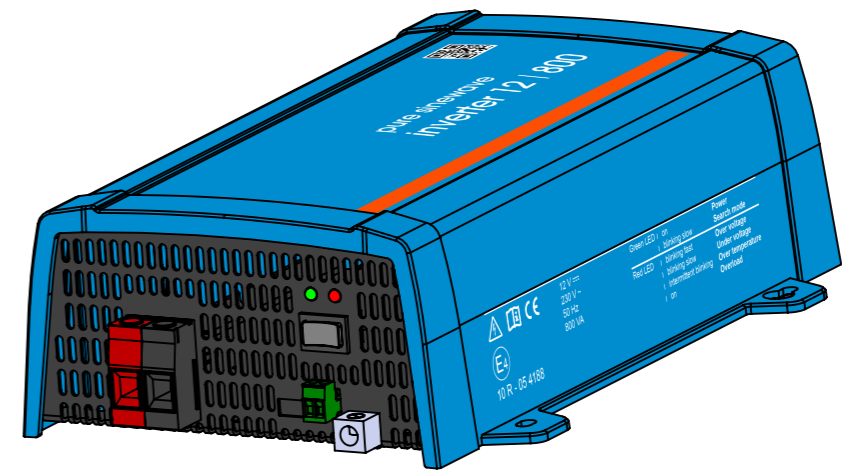
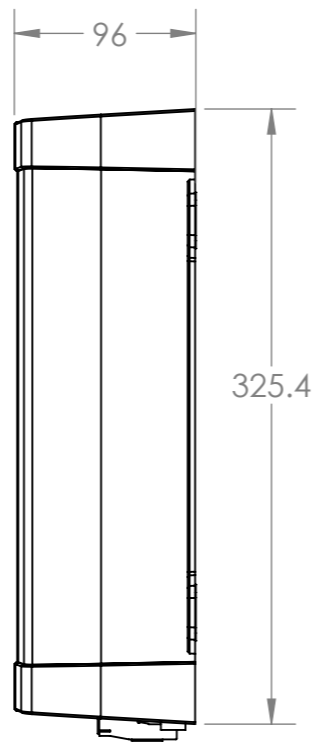
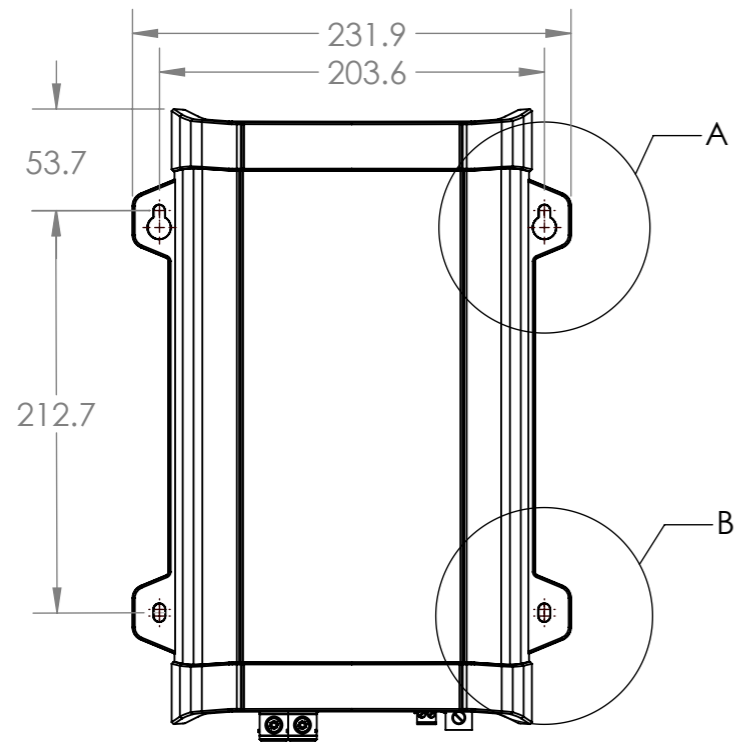


Dimension Drawing - Inverter	
PIN121801100	Inverter 12/800 230V VE.Direct IEC
PIN121801200	Inverter 12/800 230V VE.Direct SCHUKO
PIN121801300	Inverter 12/800 230V VE.Direct AU/NZ
PIN121801400	Inverter 12/800 230V VE.Direct UK
PIN121800500	Inverter 12/800 120V VE.Direct NEMA 5-15R
PIN121800510	Inverter 12/800 120V VE.Direct NEMA GFCI



Dimensions in mm

